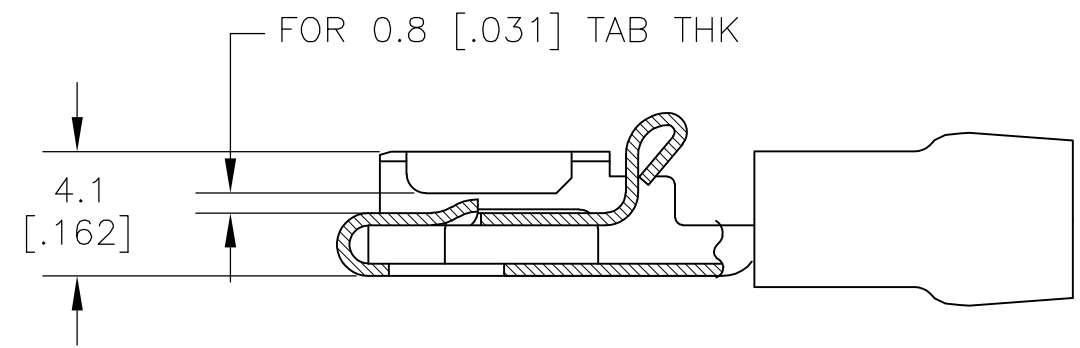
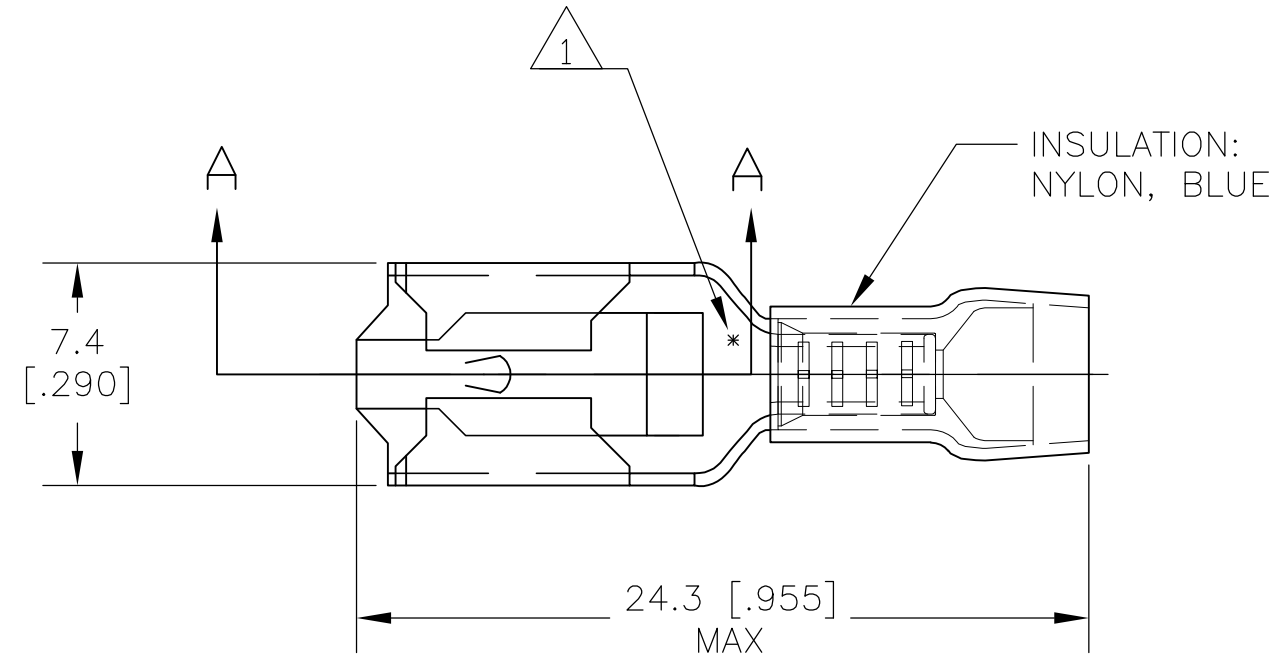


THIS DRAWING IS UNPUBLISHED. RELEASED FOR PUBLICATION
 © COPYRIGHT BY TYCO ELECTRONICS CORPORATION. ALL RIGHTS RESERVED.

LOC	DIST	REVISIONS			
P	LTR	DESCRIPTION	DATE	DWN	APVD
G	02	E3	REVISED PER ECR-08-027903	04NOV08	JR TM



SECTION A-A

- 1 ASTERISK * FOR PHOS BRONZE ITEMS ONLY.
- 2 TAPE-MOUNTED VERSION OF 165536-1
- 3 BODY - BRASS PER ASTM B36
SLEEVE - COPPER PER ASTM B152
INSULATION - NYLON
- 4 BODY - TIN PLATE PER ASTM B545
SLEEVE - TIN PLATE PER ASTM B545
INSULATION - COLOR - YELLOW
- 5 90°C MAX OPERATING TEMP
- 6 300 VOLT MAX
- 7 PRELIMINARY - NOT FOR PRODUCTION

FINISH	MATERIAL	PART No.
2 TIN PLATED	BRASS	7 2-165536-2
TIN PLATED	PHOS BRONZE 1	165536-2
TIN PLATED	BRASS	165536-1

THIS DRAWING IS A CONTROLLED DOCUMENT.		DWN jr ruth 15JAN07	Tyco Electronics Corporation Harrisburg, PA 17105-3608	
DIMENSIONS: MM [INCHES]		CHK T MICHIELUTTI 15JAN07		
		APVD T MICHIELUTTI 15JAN07	NAME	
TOLERANCES UNLESS OTHERWISE SPECIFIED: 0 PLC ± - 1 PLC ± - 2 PLC ± - 3 PLC ± 0.25 [.010] 4 PLC ± - ± 5° ANGLES ± 5°		PRODUCT SPEC	RECEPTACLE, 6.35 [.250] SERIES, POSITIVE-LOCK, PIDG, WIRE SIZE: 1.5-2.5MM2	
MATERIAL		APPLICATION SPEC	SIZE	RESTRICTED TO
- 3		WEIGHT	CAGE CODE	
FINISH		DRAWING NO		
- 4		A3 00779 C-165536		
CUSTOMER DRAWING			SCALE	SHEET
			4:1	1 OF 1
			REV	E3